

PLEASE CHECK WWW.MOLEX.COM FOR LATEST PART INFORMATION

Part Number: [0194350814](#)
Status: **Active**
Overview: [mx150l sealed connector system](#)
Description: MX150L™ 8 Circuit Rear Mount Flange Plug for 18-22 AWG Wire, without Gasket

Documents:

[3D Model](#) [RoHS Certificate of Compliance \(PDF\)](#)
[Drawing \(PDF\)](#)

Agency Certification

UL E152602

General

Product Family Crimp Housings
 Series [19435](#)
 Comments Mat Seal Color is Red
 Overview [mx150l sealed connector system](#)
 Product Literature Order No 987650-2181
 Product Name MX150L™

Physical

Circuits (maximum) 8
 Flammability 94V-0
 Gender Male
 Glow-Wire Compliant No
 Lock to Mating Part Yes
 Number of Rows 2
 Packaging Type Bag
 Panel Mount Yes
 Pitch - Mating Interface (in) 0.230 In
 Pitch - Mating Interface (mm) 5.84 mm
 Polarized to Mating Part Yes
 Stackable No
 Temperature Range - Operating -40°C to +125°C

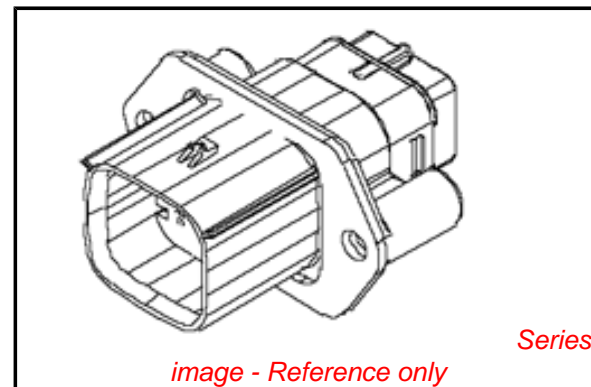
Electrical

Current - Maximum per Contact 18A

Material Info

Reference - Drawing Numbers

Packaging Specification PK-19435-001
 Sales Drawing SD-19435-008



EU RoHS

ELV and RoHS Compliant
REACH SVHC
 Not Reviewed
Halogen-Free Status
 Not Reviewed

China RoHS



Need more information on product environmental compliance?

Email productcompliance@molex.com
 For a multiple part number RoHS Certificate of Compliance, [click here](#)

Please visit the [Contact Us](#) section for any non-product compliance questions.

Search Parts in this Series

[19435Series](#)

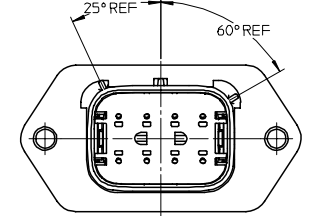
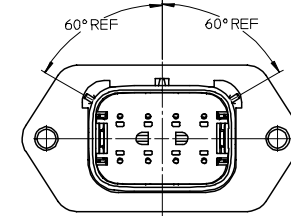
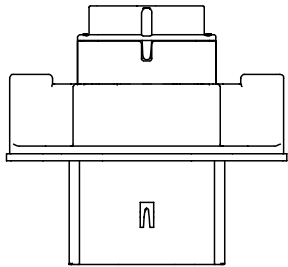
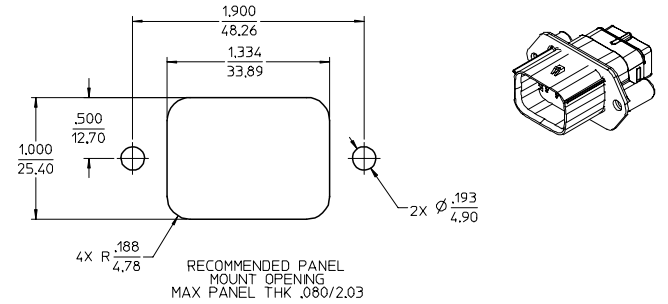
Mates With

[19418](#)

Use With

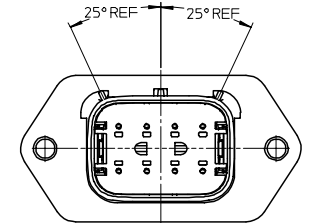
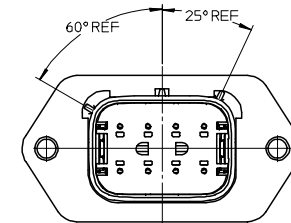
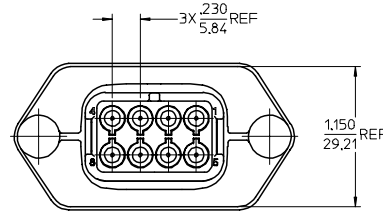
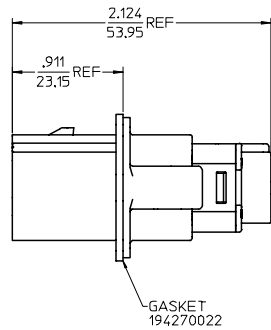
[19417 Male Crimp Terminals](#)

MATERIAL NUMBER	WIRE GAGE	GASKET	KEYING OPTION	COLOR
194350811	16-14	YES	A	BLACK
194350812	22-18	YES	A	BLACK
194350813	16-14	NO	A	BLACK
194350814	22-18	NO	A	BLACK
194350816	16-14	YES	B	GRAY
194350817	22-18	YES	B	GRAY
194350818	16-14	NO	B	GRAY
194350819	22-18	NO	B	GRAY
194350821	16-14	YES	C	BROWN
194350822	22-18	YES	C	BROWN
194350823	16-14	NO	C	BROWN
194350824	22-18	NO	C	BROWN
194350826	16-14	YES	D	GREEN
194350827	22-18	YES	D	GREEN
194350828	16-14	NO	D	GREEN
194350829	22-18	NO	D	GREEN



KEY A

KEY B



KEY C

KEY D

NOTES:

1. MATERIALS:
HOUSING: POLYESTER (PB7). GLASS FILLED. UL94 V-0.
COLOR: SEE CHART.
SEAL & GASKET: SILICONE RUBBER.
2. PRODUCT SPECIFICATION: PS-19417-001.
3. PACKAGING SPECIFICATION: PK-19419-001.
4. MATES WITH: 19418 SERIES RECEPTACLE ASSEMBLIES.
5. RECOMMENDED MOUNTING HARDWARE: (2) #10 X .62/18.9 LONG PLASTIC THREAD CUTTING SCREWS. RECOMMENDED TORQUE 15-17 IN-LBS. SUGGESTED SOURCE: ITW SHAKEPROOF INDUSTRIAL BOSSCREW OR EQUIVALENT.

NEW PRODUCT IEC NO. ETC 2005-0228 DRAWN: JPAML/CK 2005/06/28 CHKCD: JPAML/CK 2005/06/28 APPR: RDEROSS 2005/06/28	QUALITY SYMBOLS	GENERAL TOLERANCES (UNLESS SPECIFIED)	DIMENSION STYLE IN/MM		SCALE 2:1	DESIGN UNITS INCH	THIRD ANGLE PROJECTION																																																																		
	$\nabla=0$ $\nabla=0$	<table border="1"> <thead> <tr> <th></th> <th>mm</th> <th>INCH</th> </tr> </thead> <tbody> <tr> <td>4 PLACES</td> <td>± .15</td> <td>± .005</td> </tr> <tr> <td>3 PLACES</td> <td>± .10</td> <td>± .005</td> </tr> <tr> <td>2 PLACES</td> <td>± 0.38</td> <td>± .015</td> </tr> <tr> <td>1 PLACE</td> <td>± .15</td> <td>± .005</td> </tr> </tbody> </table>		mm	INCH	4 PLACES	± .15	± .005	3 PLACES	± .10	± .005	2 PLACES	± 0.38	± .015	1 PLACE	± .15	± .005	<table border="1"> <thead> <tr> <th>mm</th> <th>INCH</th> </tr> </thead> <tbody> <tr> <td>± .15</td> <td>± .005</td> </tr> <tr> <td>± .10</td> <td>± .005</td> </tr> <tr> <td>± 0.38</td> <td>± .015</td> </tr> <tr> <td>± .15</td> <td>± .005</td> </tr> </tbody> </table>	mm	INCH	± .15	± .005	± .10	± .005	± 0.38	± .015	± .15	± .005	<table border="1"> <thead> <tr> <th>DATE</th> <th>BY</th> </tr> </thead> <tbody> <tr> <td>02/09/05</td> <td>JPAML/CK</td> </tr> <tr> <td>02/10/05</td> <td>JPAML/CK</td> </tr> <tr> <td>02/11/05</td> <td>RDEROSS</td> </tr> </tbody> </table>	DATE	BY	02/09/05	JPAML/CK	02/10/05	JPAML/CK	02/11/05	RDEROSS	<table border="1"> <thead> <tr> <th>DATE</th> <th>BY</th> </tr> </thead> <tbody> <tr> <td>02/09/05</td> <td>JPAML/CK</td> </tr> <tr> <td>02/10/05</td> <td>JPAML/CK</td> </tr> <tr> <td>02/11/05</td> <td>RDEROSS</td> </tr> </tbody> </table>	DATE	BY	02/09/05	JPAML/CK	02/10/05	JPAML/CK	02/11/05	RDEROSS	<table border="1"> <thead> <tr> <th>DATE</th> <th>BY</th> </tr> </thead> <tbody> <tr> <td>02/09/05</td> <td>JPAML/CK</td> </tr> <tr> <td>02/10/05</td> <td>JPAML/CK</td> </tr> <tr> <td>02/11/05</td> <td>RDEROSS</td> </tr> </tbody> </table>	DATE	BY	02/09/05	JPAML/CK	02/10/05	JPAML/CK	02/11/05	RDEROSS	<table border="1"> <thead> <tr> <th>DATE</th> <th>BY</th> </tr> </thead> <tbody> <tr> <td>02/09/05</td> <td>JPAML/CK</td> </tr> <tr> <td>02/10/05</td> <td>JPAML/CK</td> </tr> <tr> <td>02/11/05</td> <td>RDEROSS</td> </tr> </tbody> </table>	DATE	BY	02/09/05	JPAML/CK	02/10/05	JPAML/CK	02/11/05	RDEROSS	<table border="1"> <thead> <tr> <th>DATE</th> <th>BY</th> </tr> </thead> <tbody> <tr> <td>02/09/05</td> <td>JPAML/CK</td> </tr> <tr> <td>02/10/05</td> <td>JPAML/CK</td> </tr> <tr> <td>02/11/05</td> <td>RDEROSS</td> </tr> </tbody> </table>	DATE	BY	02/09/05	JPAML/CK	02/10/05	JPAML/CK	02/11/05	RDEROSS
		mm	INCH																																																																						
	4 PLACES	± .15	± .005																																																																						
3 PLACES	± .10	± .005																																																																							
2 PLACES	± 0.38	± .015																																																																							
1 PLACE	± .15	± .005																																																																							
mm	INCH																																																																								
± .15	± .005																																																																								
± .10	± .005																																																																								
± 0.38	± .015																																																																								
± .15	± .005																																																																								
DATE	BY																																																																								
02/09/05	JPAML/CK																																																																								
02/10/05	JPAML/CK																																																																								
02/11/05	RDEROSS																																																																								
DATE	BY																																																																								
02/09/05	JPAML/CK																																																																								
02/10/05	JPAML/CK																																																																								
02/11/05	RDEROSS																																																																								
DATE	BY																																																																								
02/09/05	JPAML/CK																																																																								
02/10/05	JPAML/CK																																																																								
02/11/05	RDEROSS																																																																								
DATE	BY																																																																								
02/09/05	JPAML/CK																																																																								
02/10/05	JPAML/CK																																																																								
02/11/05	RDEROSS																																																																								
DATE	BY																																																																								
02/09/05	JPAML/CK																																																																								
02/10/05	JPAML/CK																																																																								
02/11/05	RDEROSS																																																																								
DRAFT WHERE APPLICABLE MUST REMAIN WITHIN DIMENSIONS		SEE CHART		MATERIAL NO. SD-19435-008		DOCUMENT NO. SD-19435-008																																																																			
SIZE D		THIS DRAWING CONTAINS INFORMATION THAT IS PROPRIETARY TO MOLEX INCORPORATED AND SHOULD NOT BE USED WITHOUT WRITTEN PERMISSION		MATERIAL NO. SD-19435-008		DOCUMENT NO. SD-19435-008																																																																			